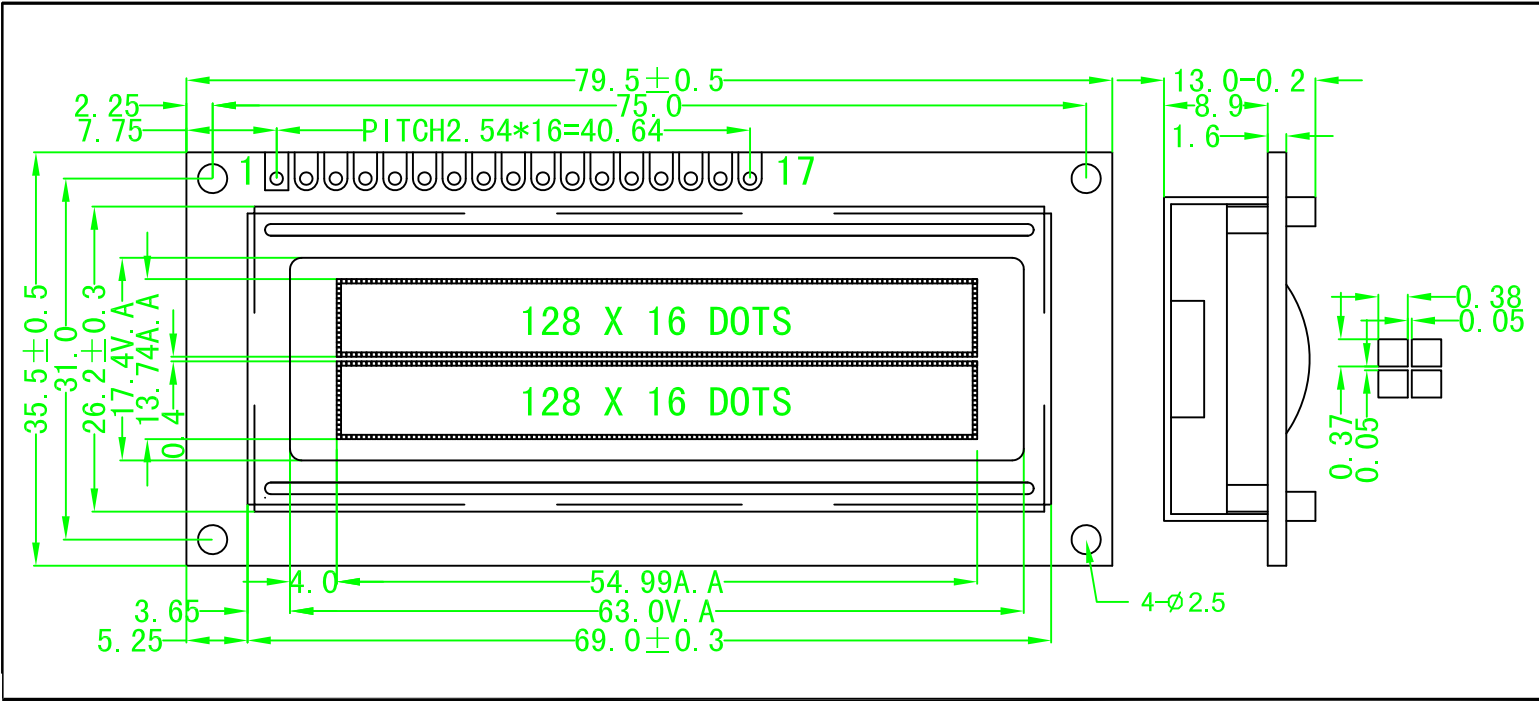
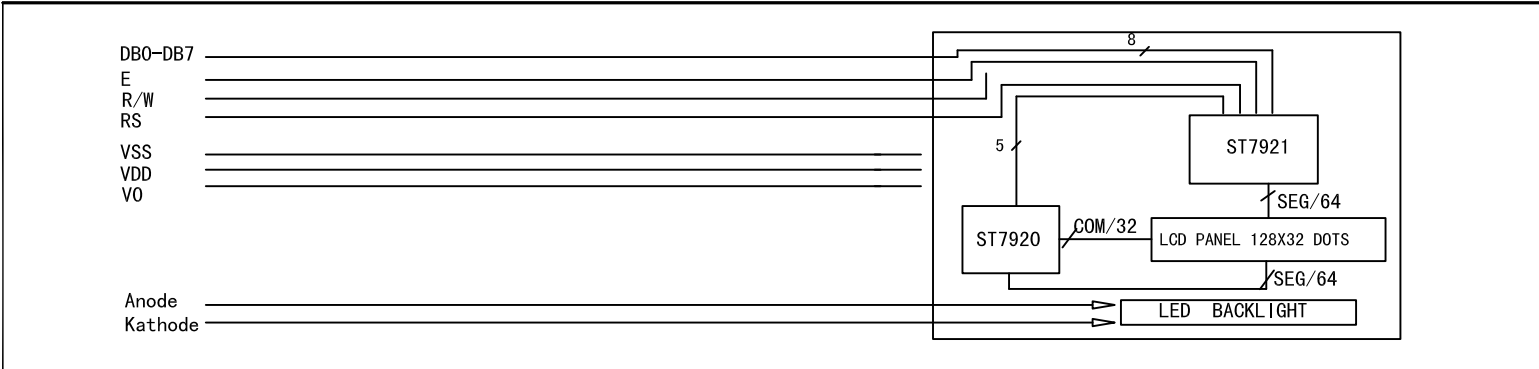




## 1.0 DIMENSIONAL DRAWING



## 2.0 BLOCK DIAGRAM & POWER SUPPLY



## 3.0 MECHANICAL SPECIFICATIONS & FEATURE

Item	Nominal Dimensions (mm)	Feature	
		LCD Type	STN
Module Size (W*H*T)	79.5 × 35.5 × 13.0	LCD Coloure	Yellow-green
View Area (W*H)	63.0 × 17.4	View Angle	6 O'clock
Dot × Dot (W*H)	128 × 32	Display Type	Positive Type
Dot Pitch (W*H)	0.43 × 0.42	Rear Polarizer	Transflective
Dot Size (W*H)	0.38 × 0.37	Operating Temperature	0° C to +50° C
---	---	Storage Temperature	-10° C to +60° C
---	---	Backlight	LED (Yellow-green)

## 4.0 ELECTRICAL CHARACTERISTICS

Item	Symbol	Test Condition	Min.	Typ.	Max.	Unit
Operating Voltage	Vdd	Ta=25° C	---	5.0	---	V
Operating Voltage For LCD	Vlcd	Ta=25° C	---	5.0	---	V
Supply Current	Idd	Ta=25° C, Vdd=3.0V	---	15	---	μA
Supply Current For Backlight	If	Ta=25° C, VAK=3.0V	---	100	---	mA

## 5.0 INTERFACE PIN CONNECTIONS

Pin No.	Symbol	Level	Description
1	VSS	0V	LCM Power Supply Negative Input Terminal
2	VDD	5.0V	LCM Power Supply Positive Input Terminal
3	NC		Not Connected
4	RS	H/L	LCM Comand/data Input Terminal
5	R/W	H/L	LCM Read/Write Signal Input Terminal
6	E	H.L.F	LCM Enable Signal Input Terminal
7-14	DB0-DB7	TRI-STATE	LCM 8-bits Data Input Terminal
15	A	5.0V	LED Backlight Power Supply Positive Input Terminal
16	K	0V	LED Backlight Power Supply Negative Input Terminal
17	VOUT		Not Connected

NOTE: NO